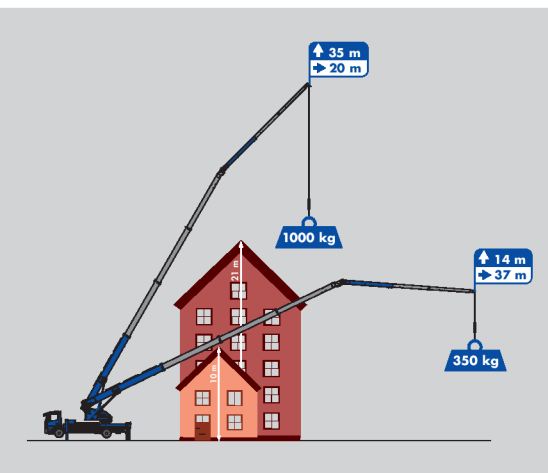


K950 RSX



Hook height **44 m**/Extension length **45.5 m**
 Max. hook load **5,000 kg**
37 m range with **350 kg**

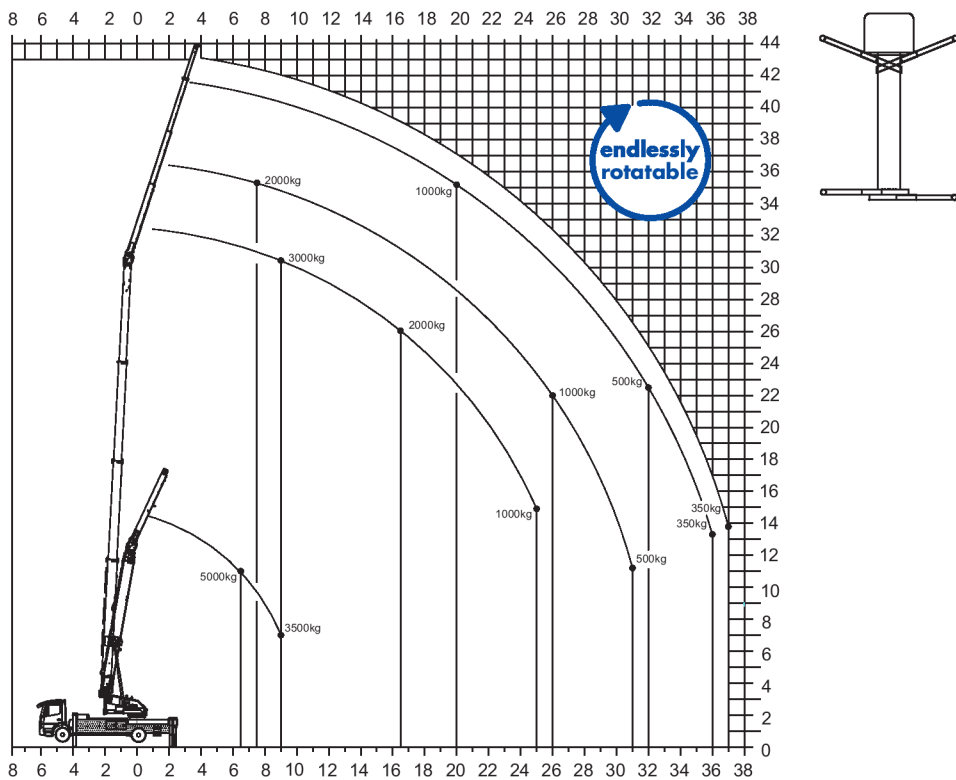


K950 RSX

Equipment

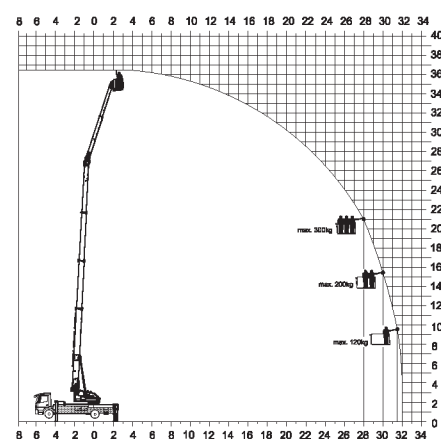
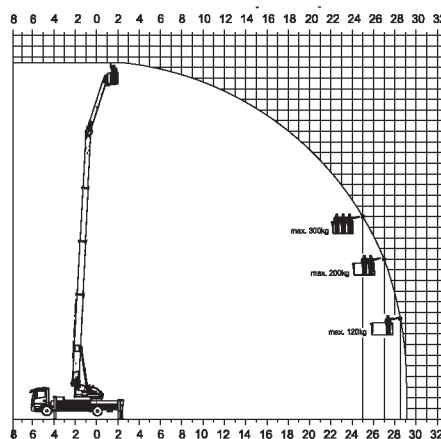
TFR Mast system	V support	Automatic set-up
Hydraulic, telescopic fly jib	Dual fly jib joint	Dual luffing cylinders
Telescopic winch	Endless rotatable boom	Crane control system
XL Radio remote control	Drive concept	Extendable counterweight
Full panelling	Personal security	Hybrid drive (opt.)
Elevating work platform (opt.)	Accessory fix system (opt.)	Mounting-/glass hook (opt.)

Load diagrams



Platform operation (HA 3/300)

Platform operation with 1 pull-out (HA 3/300)



Technical specifications

Hook load (stand./opt.)	3.0/5.0 t
Hook height	44.00 m
Extension length	45.50 m
Support width (min.)	2.96 m
Support width (max.)	5.48 m
Towing capacity	3,000 kg
Boom (3,000 kg - 1,000 kg)	5.50 - 12.05 m
Pull-out 3 (350 kg)	13.78 m
Truck* Total weight (min.)	≥ 16 t

*dependent on truck type

Work area

Load	Range	Height
3,000 kg	9.00 m	30.50 m
2,000 kg	16.50 m	26.00 m
1,000 kg	26.00 m	22.00 m
350 kg	37.00 m	14.00 m

Work area 5 t-function*

Load	Range	Height
5,000 kg	6.50 m	11.00 m
3,500 kg	9.00 m	7.00 m

*with diverter pulley