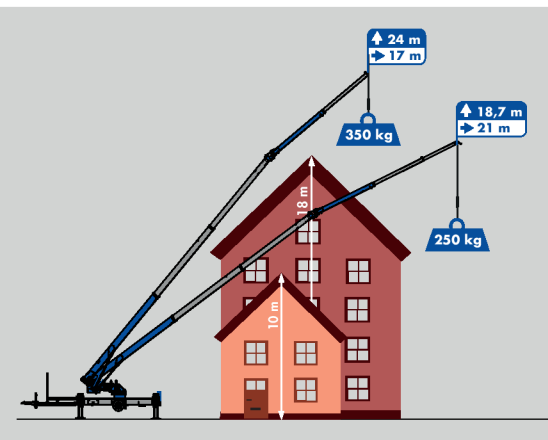
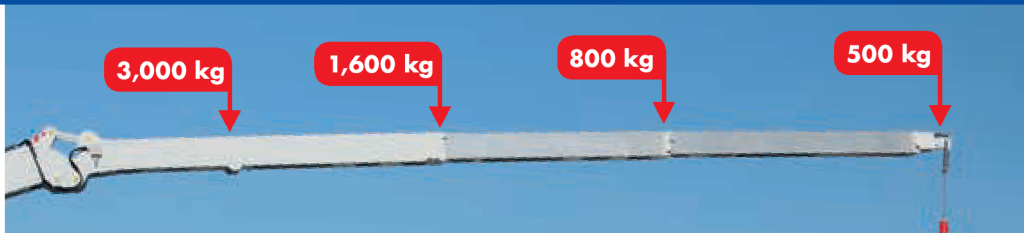


K400 RSX



Hook height **31.8 m** / Extension length **32.6 m**

Max. hook load **3,000 kg**

23 m range with **250 kg**



Equipment



TSR Mast system



H support



Automatic setup



Hydraulic, telescopic fly jib



Dual fly jib joint



Dual luffing cylinders



Telescopic winch



Endless rotatable boom



Crane control system



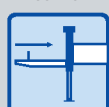
Radio remote control



Diesel Drive concept



Full panelling



Retractable drawbar



Self-drive mechanism (opt.)



Elevating work platform (opt.)



Accessory fix system (opt.)



Personal security (opt.)



Mounting-/glass hook (opt.)

Technical specifications

Hook load (stand./optional)	1,600/3,000 kg
Hook height	31.80 m
Total weight	32.60 m
Support width (min.)	3.50 m
Support width (min. by HA)	3.90 m
Support width (max.)	5.63 m
Winch pulling force	1,600 kg
Boom (1,600 kg)	4.85 m
Pull-out 1 (800 kg)	8.50 m
Pull-out 2 (500 kg)	10.82 m
Vehicle dimensions	9.49 x 2.28 x 2.69 m
Towing capacity	3.5 t

Work area

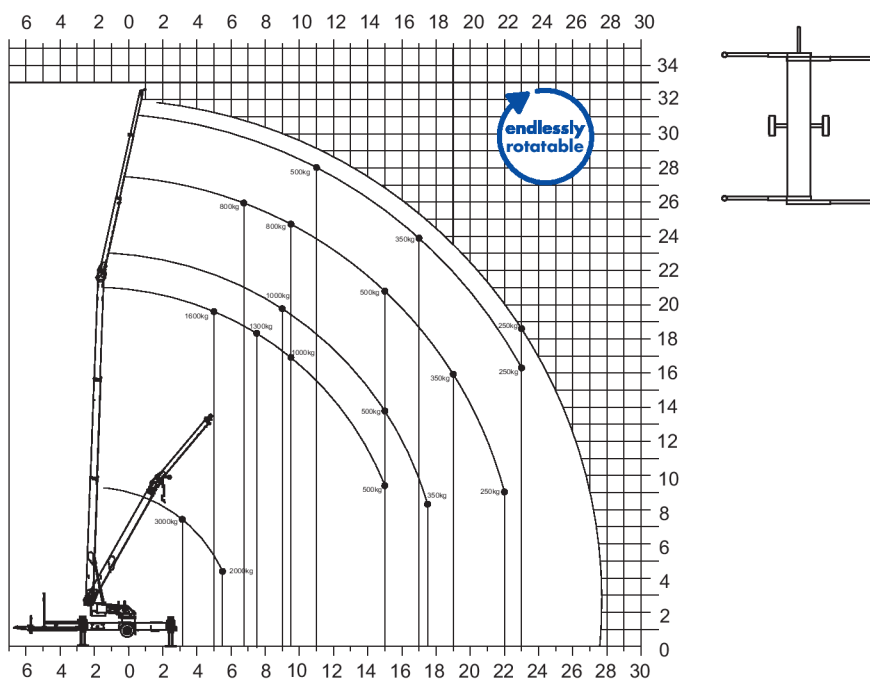
Load	Range	Height
1,600 kg	5.00 m	19.50 m
800 kg	9.50 m	24.80 m
500 kg	15.00 m	20.80 m
250 kg	23.00 m	18.80 m

Work area 3 t-function*

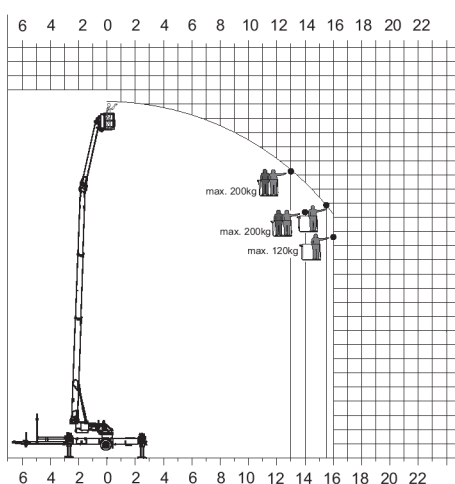
Load	Range	Height
3,000 kg	3.20 m	7.40 m
2,000 kg	5.50 m	4.40 m

*with diverter pulley

Load diagrams



Platform operation



Platform operation fly jib telescoped

